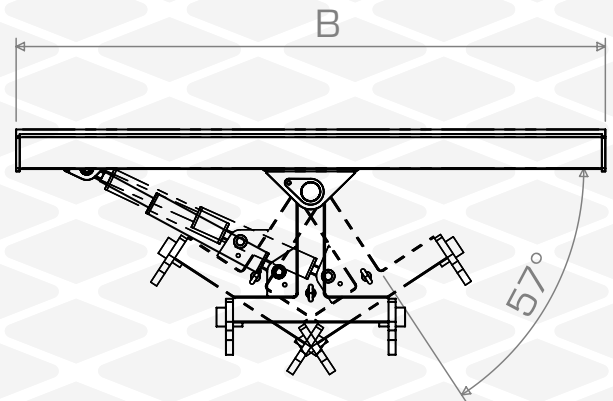
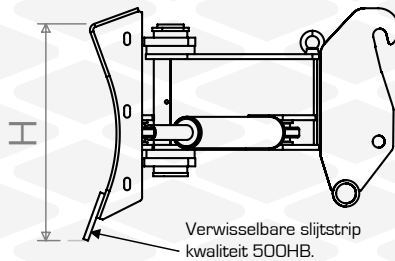


Frontschuif -S- Serie Vaste uitvoering (niet schuin stelbaar)

| Bestelcode | Breedte | Hoogte (H) | Gewicht +/- | Prijs (excl. Btw) |
|---------------------------------------|----------|------------|-------------|-------------------|
| FRS_S_200_H80_VAST | 2000 mm. | 800 mm. | 400 kg. | € 2660,- |
| FRS_S_225_H80_VAST | 2250 mm. | 800 mm. | 420 kg. | € 2700,- |
| FRS_S_250_H80_VAST | 2500 mm. | 800 mm. | 455 kg. | € 2740,- |
| FRS_S_275_H80_VAST | 2750 mm. | 800 mm. | 475 kg. | € 2780,- |
| FRS_S_300_H80_VAST | 3000 mm. | 800 mm. | 515 kg. | € 2860,- |
| [Optie] MP_WKLIFTARM (excl. topstang) | - | - | 55 kg. | € 875,- |



Frontschuif -S- serie Mechanisch schuin stelbaar middels pen-gat versteling.

| Bestelcode | Breedte (B) | Bladhoogte | Gewicht +/- | Prijs (excl. Btw) |
|--------------------|-------------|------------|-------------|-------------------|
| FRS_S_200_H65_MECH | 2000 mm. | 650 mm. | 455 kg. | € 2360,- |
| FRS_S_225_H65_MECH | 2250 mm. | 650 mm. | 475 kg. | € 2420,- |
| FRS_S_250_H65_MECH | 2500 mm. | 650 mm. | 495 kg. | € 2480,- |
| FRS_S_275_H65_MECH | 2750 mm. | 650 mm. | 515 kg. | € 2540,- |
| FRS_S_300_H65_MECH | 3000 mm. | 650 mm. | 535 kg. | € 2600,- |

Frontschuif -S- serie Hydraulisch schuin stelbaar middels dubbelwerkende cilinder.

| Bestelcode | Breedte (B) | Bladhoogte | Gewicht +/- | Prijs (excl. Btw) |
|--------------------|-------------|------------|-------------|-------------------|
| FRS_S_200_H65_HYDR | 2000 mm. | 650 mm. | 495 kg. | € 3200,- |
| FRS_S_225_H65_HYDR | 2250 mm. | 650 mm. | 515 kg. | € 3260,- |
| FRS_S_250_H65_HYDR | 2500 mm. | 650 mm. | 535 kg. | € 3320,- |
| FRS_S_275_H65_HYDR | 2750 mm. | 650 mm. | 555 kg. | € 3380,- |
| FRS_S_300_H65_HYDR | 3000 mm. | 650 mm. | 575 kg. | € 3440,- |